

REVISIONS

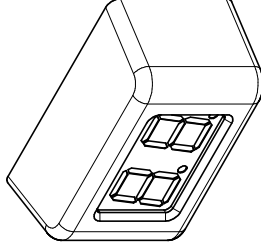
APPROVED

DATE

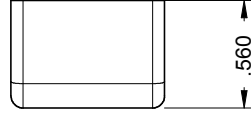
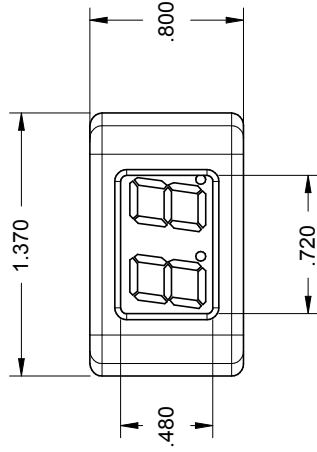
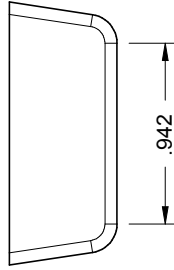
DESCRIPTION

REV

ZONE



Weight: 1 oz.
Max Current: 0.2 Amps



Speedway Instruments, LLC

SIZE	FSCM NO.	DWG NO.	REV
A		micro Tach Assembly	A
SCALE	1:1	SHEET	1